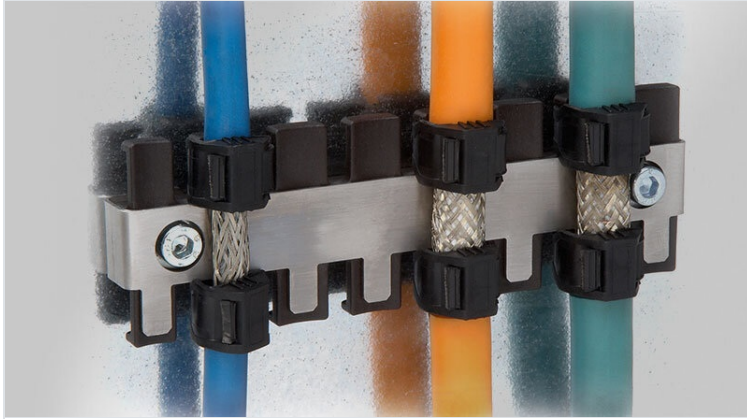


# ZL|SB-EMC shield plates

for strain relief plates



The shield plates ZL|SB-EMC provide shield earthing in addition to strain relief.

Affix the corresponding shield plates to [ZL strain relief plates](#). The shield plate contacts the cable shield with the earth potential.

The result is a secure low resistance connection between cable shield and earth.

ZL strain relief plates offered separately.



RoHS  
compliant



Made in  
Germany

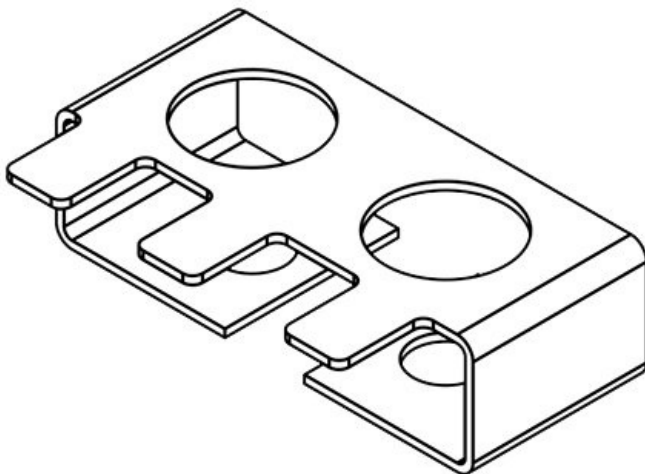
## Specifications

<b>Material</b>	Stainless steel
<b>Mounting options</b>	Screw type mounting

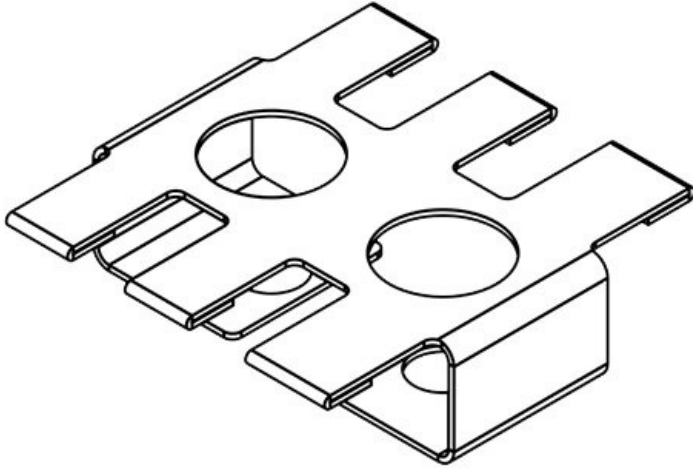
## Advantages & Benefits

## Product Types & Sizes

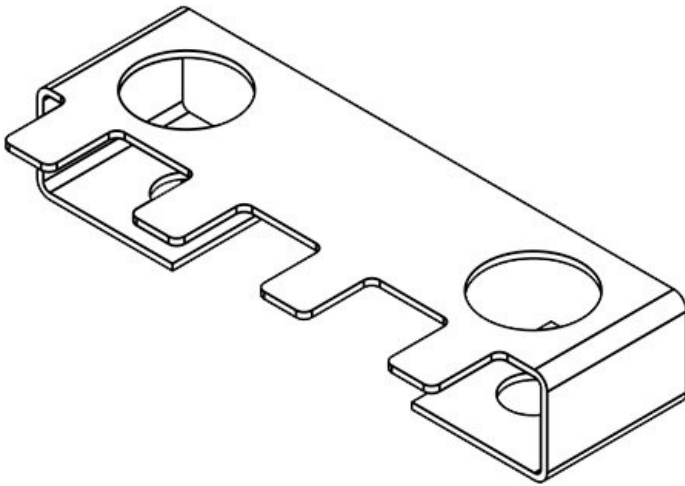
ZL 39|SB-EMC-1



Part No.	<b>36322</b>	Height	<b>12 mm</b>
EAN	<b>4251269302541</b>	No. of screw holes	<b>2</b>
Package quantity	<b>10</b>	Diam. of screw holes	<b>6,5 mm</b>
For max. no. of cables	<b>3</b>	No. of teeth	<b>3</b>
Length L1	<b>42 mm</b>		
Length L2	<b>19,5 mm</b>		
Width	<b>26 mm</b>		



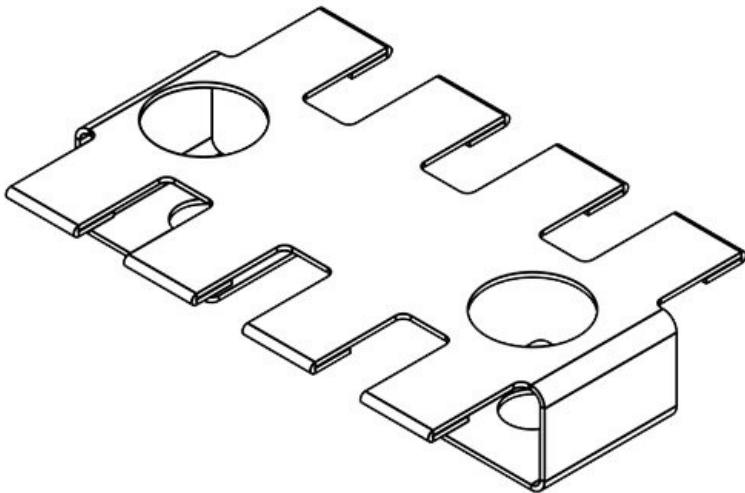
Part No.	<b>37150</b>	Height	<b>12 mm</b>
EAN	<b>4251269305</b>	No. of screw holes	<b>2</b>
	<b>221</b>	Diam. of screw holes	<b>6,5 mm</b>
Package quantity	<b>10</b>	No. of teeth	<b>3</b>
For max. no. of cables	<b>3</b>		
Length L1	<b>42 mm</b>		
Length L2	<b>19,5 mm</b>		
Width	<b>42,1 mm</b>		



Part No.	<b>36328</b>	Height	<b>12 mm</b>
EAN	<b>4251269302</b>	No. of screw holes	<b>2</b>
	<b>572</b>	Diam. of screw holes	<b>6,5 mm</b>
Package quantity	<b>10</b>	No. of teeth	<b>4</b>
For max. no. of cables	<b>4</b>		
Length L1	<b>64 mm</b>		
Length L2	<b>43,5 mm</b>		
Width	<b>26 mm</b>		

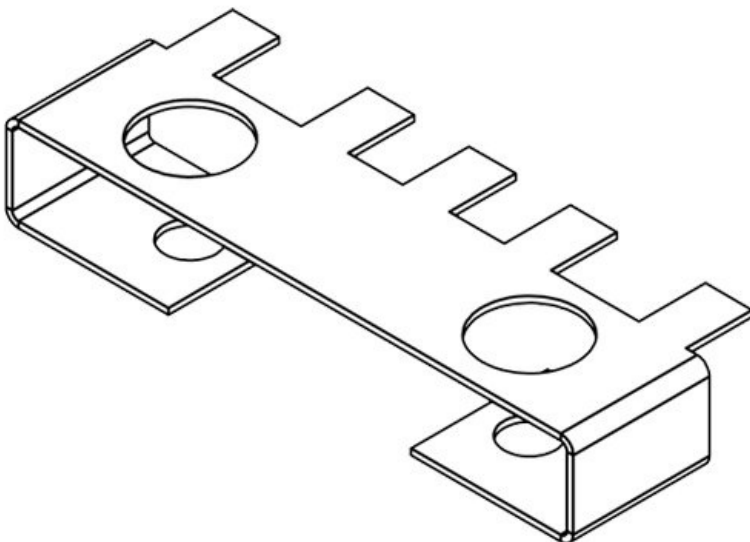
ZL 60|SB-EMC-2

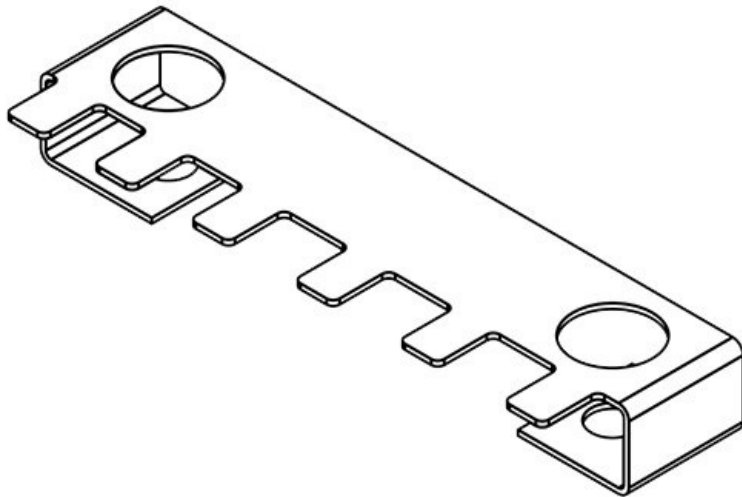
Part No.	<b>37152</b>	Height	<b>12 mm</b>
EAN	<b>4251269305</b>	No. of screw holes	<b>2</b>
	<b>238</b>		
Package quantity	<b>10</b>	Diam. of screw holes	<b>6,5 mm</b>
For max. no. of cables	<b>4</b>	No. of teeth	<b>4</b>
Length L1	<b>64 mm</b>		
Length L2	<b>43,5 mm</b>		
Width	<b>42,1 mm</b>		



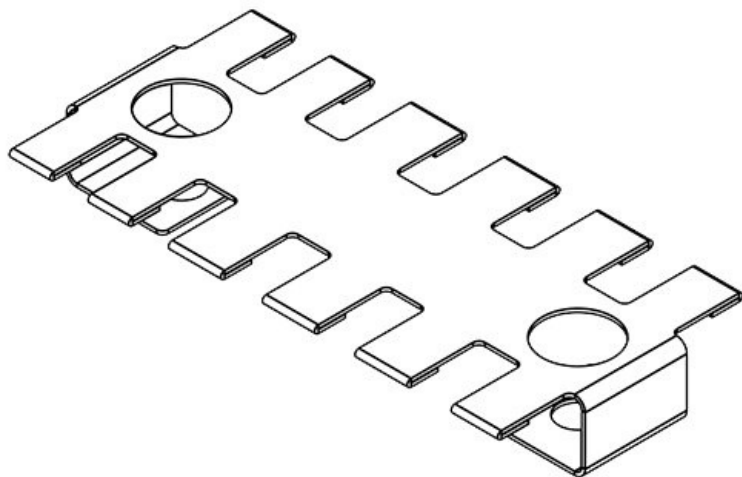
ZL 70|SB-EMC-1

Part No.	<b>36323</b>	Height	<b>12 mm</b>
EAN	<b>4251269332</b>	No. of screw holes	<b>2</b>
	<b>845</b>		
Package quantity	<b>10</b>	Diam. of screw holes	<b>6,5 mm</b>
For max. no. of cables	<b>5</b>	No. of teeth	<b>5</b>
Length L1	<b>72,7 mm</b>		
Length L2	<b>43,5 mm</b>		
Width	<b>26 mm</b>		





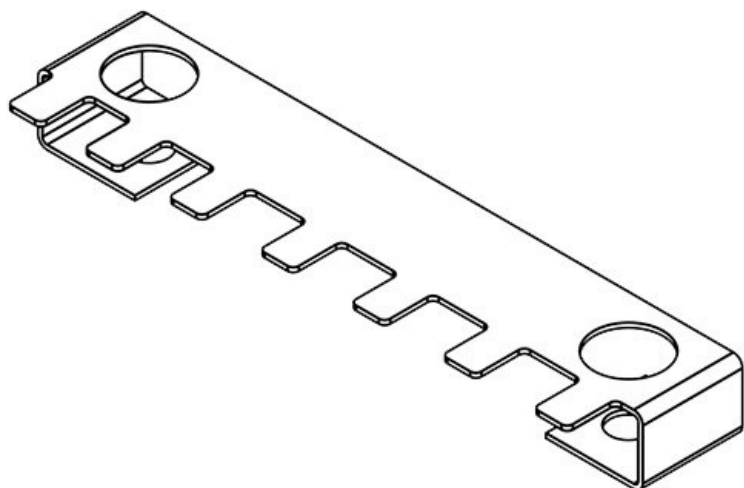
Part No.	<b>36324</b>	Height	<b>12 mm</b>
EAN	<b>4251269302</b>	No. of screw holes	<b>2</b>
Package quantity	<b>558</b>	Diam. of screw holes	<b>6,5 mm</b>
For max. no. of cables	<b>6</b>	No. of teeth	<b>6</b>
Length L1	<b>90 mm</b>		
Length L2	<b>68 mm</b>		
Width	<b>26 mm</b>		



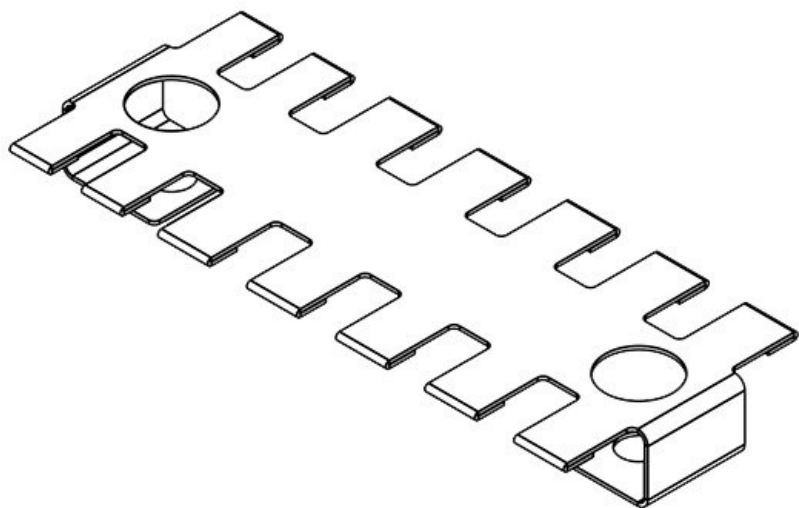
Part No.	<b>37154</b>	Height	<b>12 mm</b>
EAN	<b>4251269305</b>	No. of screw holes	<b>2</b>
Package quantity	<b>245</b>	Diam. of screw holes	<b>6,5 mm</b>
For max. no. of cables	<b>6</b>	No. of teeth	<b>6</b>
Length L1	<b>90 mm</b>		
Length L2	<b>68 mm</b>		
Width	<b>42,1 mm</b>		

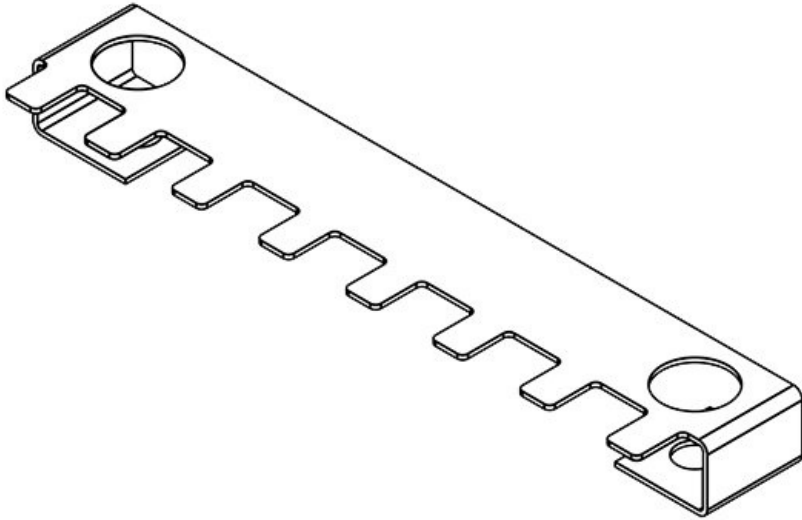
**ZL 103|SB-EMC-1**

Part No.	<b>36332</b>	Height	<b>12 mm</b>
EAN	<b>4251269302</b>	No. of screw holes	<b>2</b>
	<b>596</b>		
Package quantity	<b>10</b>	Diam. of screw holes	<b>6,5 mm</b>
For max. no. of cables	<b>7</b>	No. of teeth	<b>7</b>
Length L1	<b>106 mm</b>		
Length L2	<b>84 mm</b>		
Width	<b>26 mm</b>		

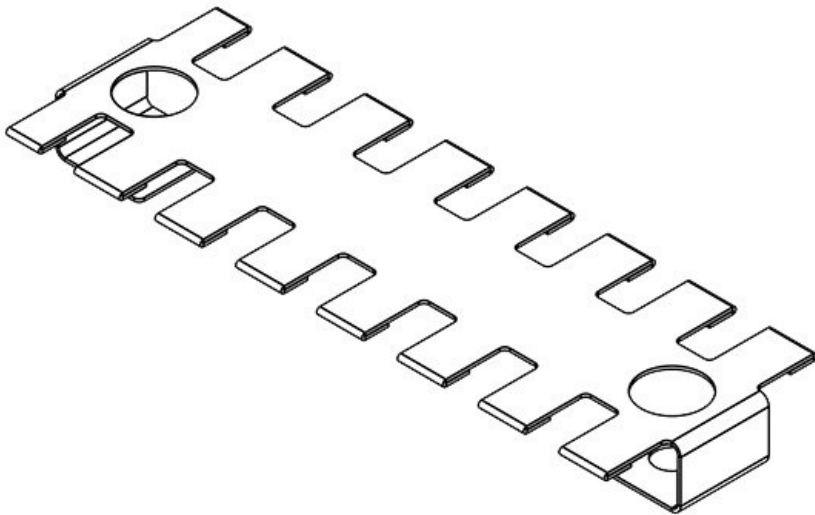
**ZL 103|SB-EMC-2**

Part No.	<b>37156</b>	Height	<b>12 mm</b>
EAN	<b>4251269305</b>	No. of screw holes	<b>2</b>
	<b>252</b>		
Package quantity	<b>10</b>	Diam. of screw holes	<b>6,5 mm</b>
For max. no. of cables	<b>7</b>	No. of teeth	<b>7</b>
Length L1	<b>106 mm</b>		
Length L2	<b>84 mm</b>		
Width	<b>42,1 mm</b>		





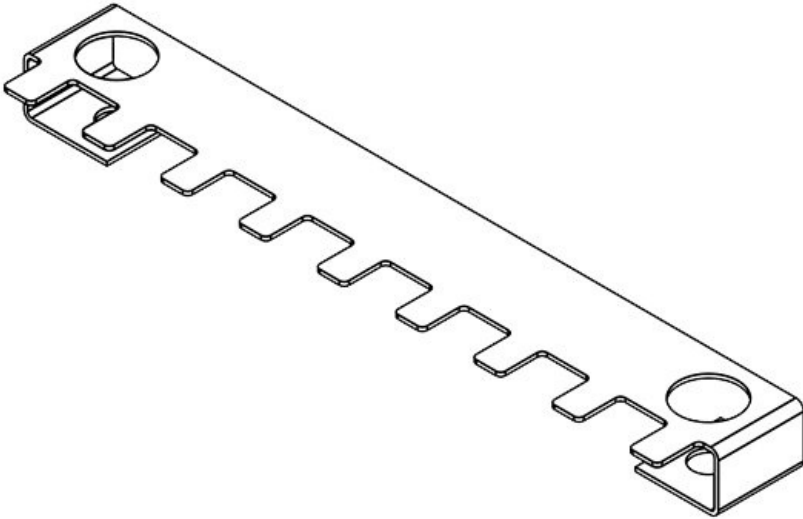
Part No.	<b>36330</b>	Height	<b>12 mm</b>
EAN	<b>4251269302</b>	No. of screw holes	<b>2</b>
Package quantity	<b>10</b>	Diam. of screw holes	<b>6,5 mm</b>
For max. no. of cables	<b>8</b>	No. of teeth	<b>8</b>
Length L1	<b>124 mm</b>		
Length L2	<b>102,5 mm</b>		
Width	<b>26 mm</b>		



Part No.	<b>37158</b>	Height	<b>12 mm</b>
EAN	<b>4251269305</b>	No. of screw holes	<b>2</b>
Package quantity	<b>10</b>	Diam. of screw holes	<b>6,5 mm</b>
For max. no. of cables	<b>8</b>	No. of teeth	<b>8</b>
Length L1	<b>124 mm</b>		
Length L2	<b>102,5 mm</b>		
Width	<b>42,1 mm</b>		

ZL 140|SB-EMC-1

Part No.	<b>36326</b>	Height	<b>12 mm</b>
EAN	<b>4251269302</b>	No. of screw holes	<b>2</b>
	<b>565</b>		
Package quantity	<b>10</b>	Diam. of screw holes	<b>6,5 mm</b>
For max. no. of cables	<b>9</b>	No. of teeth	<b>9</b>
Length L1	<b>142 mm</b>		
Length L2	<b>121 mm</b>		
Width	<b>26 mm</b>		



ZL 140|SB-EMC-2

Part No.	<b>37159</b>	Height	<b>12 mm</b>
EAN	<b>4251269305</b>	No. of screw holes	<b>2</b>
	<b>276</b>		
Package quantity	<b>10</b>	Diam. of screw holes	<b>6,5 mm</b>
For max. no. of cables	<b>9</b>	No. of teeth	<b>9</b>
Length L1	<b>142 mm</b>		
Length L2	<b>121 mm</b>		
Width	<b>42,1 mm</b>		

